



# WLD-HB38- CloudLite High Bay

## CONTENT

- Product Introduction
- Installation & Package

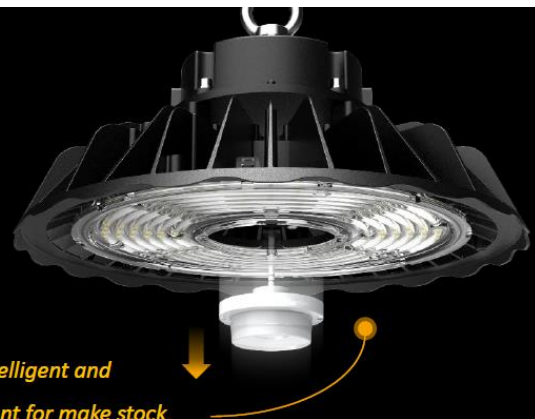
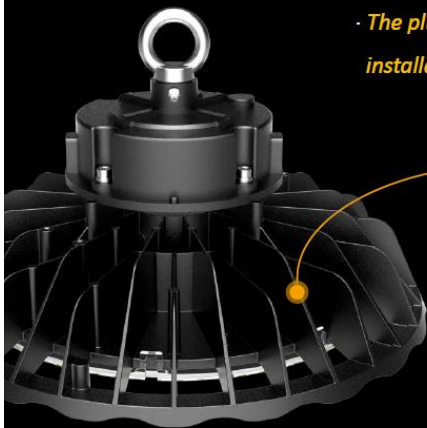
## PRODUCT INTRODUCTION

*- CloudLite keep with classical and perfect fins design.*

*- The plug & play sensor option make CloudLite intelligent and installation so easy, meanwhile it is also convenient for make stock.*

*- The compact and delicate design be with very good heat dissipation and stable performance, which ensure it more than 5 years long lifrspan.*

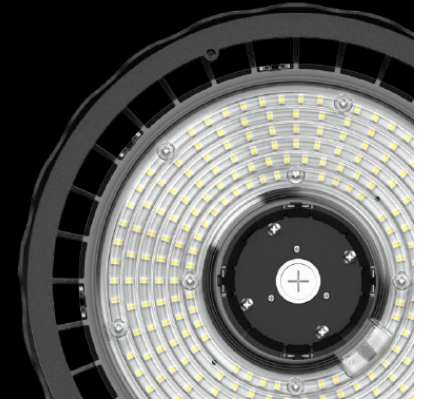
*- CloudLite perfect design make it be perfect choice for both wholesales and contract channel.*



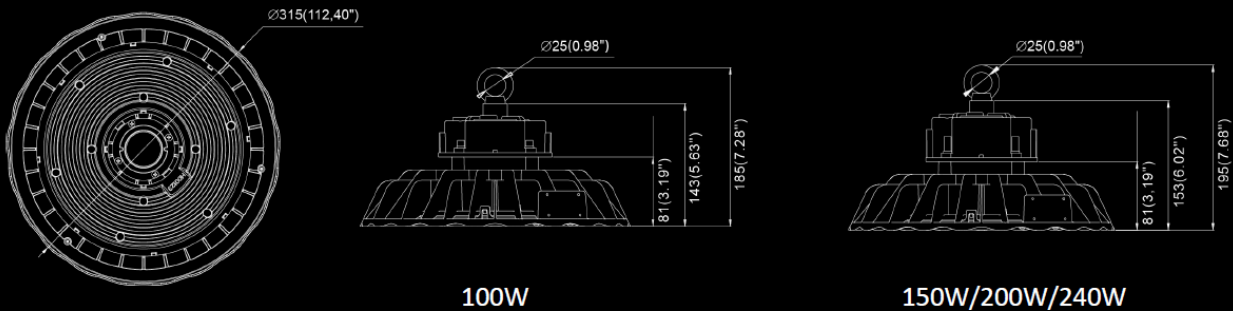
# PRODUCT SPECIFICATION

## Advantages

- 100W-240W are available, direct replacement of traditional 250W, 400W.
- 140lm/W high efficiency, 150W could replace HID 400W.
- Plug and play sensor optional make CloudLite be intelligent for different applications.
- Working temperature is -30°C to 50°C, makes it work normally on different areas, even cold storage.
- IK08 rating protects it from being hitting such as indoor sport lighting field.
- 90deg optic lens could cover most mounting height, easy to change other lens if necessary.
- Multiple accessories are available for different demands.
- Versatile mounting optional: loop, ceiling mounted and wall mounted bracket, etc.
- High quality insurance via various kinds of reliability tests, including drop test, thermal test, Surge test, Humidity test and salt spray test, etc.



## DIMENSION



	WLD-HB38-100	WLD-HB38-150 / WLD-HB38-200 / WLD-HB38-240
Product Dimension	Φ315 × 185mm	Φ315 × 195mm
Luminaire Net Weight	3.0 ± 0.3Kg	3.4 ± 0.3Kg

CloudLite compact design makes it be the most cost-effective high bay solution in the market, and heat sink Φ315mm lets the CloudLite look robust also worthy, the users will be more happy to pay for it. Suitable size and light weight below 3.5kgs is easy for electricians to install or maintenance.

# PRODUCT SPECIFICATION

Model No	WLD-HB38-100	WLD-HB38-150	WLD-HB38-200	WLD-HB38-240
Power Consumption	100W	150W	200W	240W
Luminou Flux (± 5%)	14,000lm	21,000lm	28,000lm	33,600lm
Efficacy	140LM/W			
CCT / CRI	5000K ( 4000K Optional ) / Ra80			
Beam angle	60° , 90° , 120° LENS optional			
Input Voltage/Frequency	120-347 VAC 50/60HZ			
IP Rating	IP65			
IK Rating	IK08			
Chip	SMD 3030			
Operating Temperature	-30°C ~ +50°C			
Sosen	Sosen			
Life Time	>50,000Hrs (Ta=30° C@L70)			

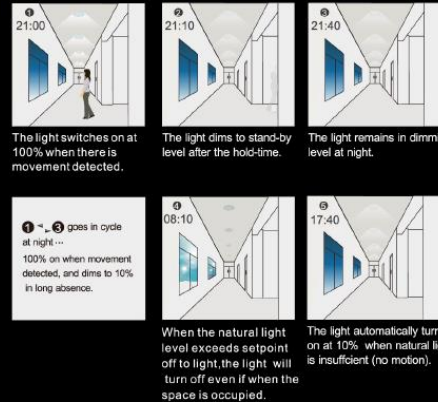
# PLUG-AND-PLAY SENSOR



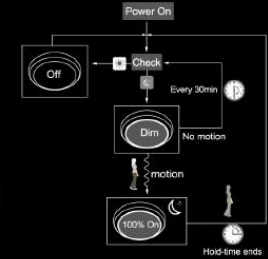
Bi-level microwave & PIR sensors for CloudLite high bay are optional!

## Daylight Sensor Function

Open the daylight sensor by push (M) when remote control is in setting condition.



Settings on this demonstration:  
 Hold-time: 30min  
 Setpoint on: 50lux  
 Setpoint off: 300lux  
 Stand-by Dim: 10%  
 Stand-by period: +/-  
 (when the smart photocell sensor open, the stand-by time is only +/-)



CloudLite with Plug and play sensor is easy for installation and flexible for making stock as per demands. As an accessory, the plug-and-play sensor could be assembled or disassembled in seconds.

## EXCELLENT HEAT DISSIPATION PERFORMANCE

Temp. (C) of Part	Temperature Test				
	Normal				
	Test 1 (C)	Test 1 Rise(k)	Test 2 (C)	Test 2 Rise(k)	Limits
1.LED--	83.164	54.564	92.65	42.372	Ref.
2.LED--	79.708	51.108	88.919	38.641	Ref.
3. LED--	77.974	49.374	87.278	37	Ref.
4. LED--	78.616	50.016	87.998	37.72	Ref.
5.wire	72.345	43.745	81.434	31.156	85
6.LED Drive TC	66.948	38.348	75.484	25.206	Ref.
7. LED Drive	65.862	37.262	74.347	24.069	Ref.
8.Metal protective case	67.997	39.397	76.823	26.545	Ref.
9.Metal protective case	62.147	33.547	71.372	21.094	Ref.
10. Ambient	28.6	--	50.278	--	--

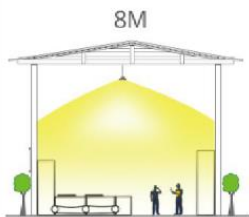
### Temperature test of 200W

CloudLite be with excellent design and good heat dissipation for longspan.

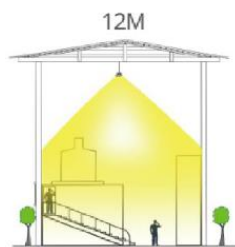
There is no any problem in 50 °C working ambient which makes it work perfect in many different industrial areas.

## THREE OPTICS OPTIONAL

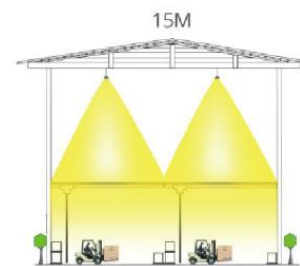
120° is suitable for 6-8m



90° is suitable for 9-12m

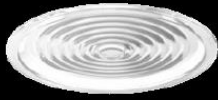


60° is suitable for 13-15m



# MULTIPLE ACCESSORIES

Multiple Accessories options satisfy different demands



**PC lens**  
60° 90° and 120° options



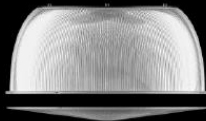
**Mesh**  
protective wire mesh



**Bracket**  
adjustable bracket



**Safety chain**



**Reflector PC**  
diffuser with lid

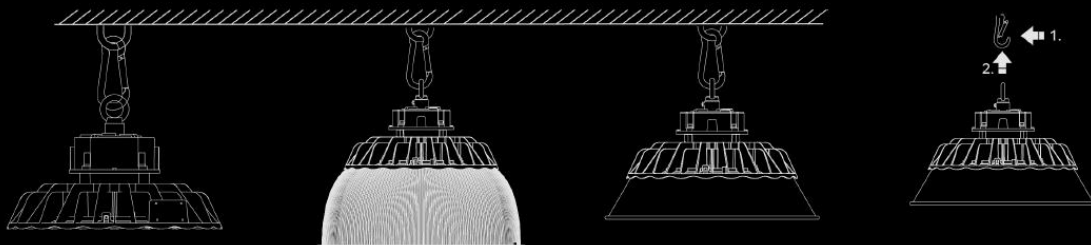


**AL reflector**  
65° ALU reflector



**AL reflector**  
90° ALU reflector

# INSTALLATION



Plug and play sensor can be installed in seconds

